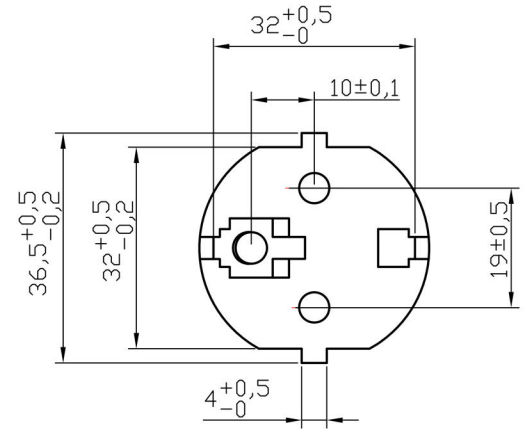
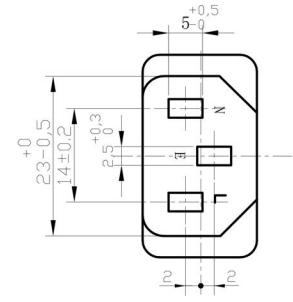


MARKING:
 THE MARKING OF THE CORDS:
 ◁VDE▷H05VV-F 3×1.0 mm²
 Ningbo Jiangfeng Plastics & Chemistry Co.,Ltd

THE MARKING OF THE PLUG:
 B-03 JF 16A 250V~



THE MARKING OF THE CONNECTOR:
 B-04 JF 10A 250V~



DIMENSIONS AND CHARACTERISTICS OF 1.0 mm² CORD
 RATED VOLTAGE 300/500V
 NUMBER OF CORE CONDUCTORS 3
 CONSTRUCTION 32/0.2

3	1	PLUG B-03			
2	1	Cable H05VV-F 3G1.0mm ² (black)			
1	1	IEC60320 C13 B-04			
Itemref	Quantity	Title/Name, designation, material, dimension etc		Article No./Reference	
Designed by DESIGNED_BY	Checked by CHECKED_BY	Approved by - date APPROVED_BY_DATE	File name FILENAME	Date DATE	Scale SCALE
504225			CAFCA DIGICABLE		
				Edition EDITION	Sheet SHEET