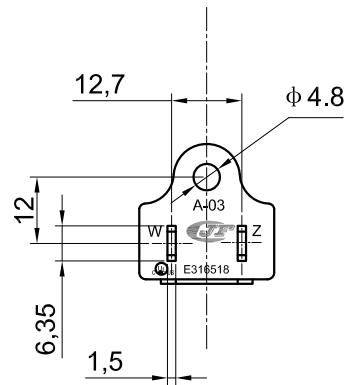
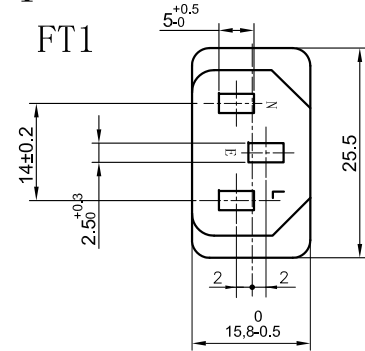


THE MARKING OF THE CORDS:
 E308930 (UL) SJT 18AWG (0.824mm²) × 3C VW-1
 105°C 300V C(UL) SJT 18AWG (0.824mm²) × 3C FT1
 105°C 300V JIANGFENG 100114-006



THE MARKING OF THE PLUG:
 A-03 E316518 cULus



THE MARKING OF THE CONNECTOR:
 A-04 10A/125V~ E316518

DIMENSIONS AND CHARACTERISTICS OF 0.824mm² CORD
 RATED VOLTAGE 300V
 NUMBER OF CORE CONDUCTONS 3
 CONSTRUCTION 47/0.15

PART NO	LENGTH	COLOR
504263	1800 ± 30mm	WHITE

3	1	A-04 IEC 60320-C13
2	1	Cable SJT 3×18AWG 105°C
1	1	A-03 (5-15P)

Itemref	Quantity	Title/Name, designation, material, dimension etc	Article No./Reference
Designed by	Checked by	Approved by - date	File name
DESIGNED_BY	CHECKED_BY	APPROVED_BY_DATE	FILENAME
			Date 2022.10.10
			Scale SCALE

504263		CAFCA DIGICABLE	
		Edition EDITION	Sheet SHEET