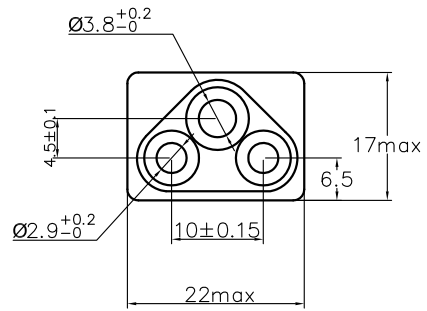
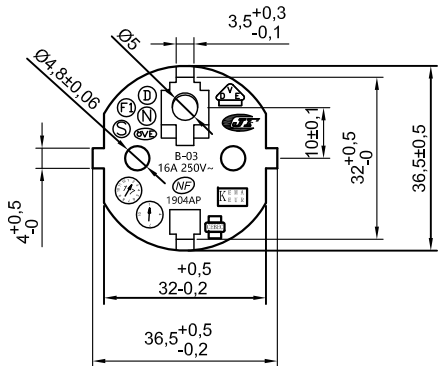


MARKING:
 THE MARKING OF THE CORDS:
 ◁ VDE ▷ H05VV-F 3×1.0mm² Ningbo
 Jiangfeng Plastic & Chemistry Co., Ltd

THE MARKING OF THE PLUG:
 B-03 JF 16A 250V~

THE MARKING OF THE CONNECTOR:
 B-05 JF 2.5A 250V~



DIMENSIONS AND CHARACTERISTICS OF 1.0mm² CORD
 RATED VOLTAGE : 300/500V
 NUMBER OF CORE : 3
 CONDUCTONS
 CONSTRUCTION : 32/0.2

PART NO	LENGTH	COLOR
504389	3000±60mm	BLACK
504390	5000±100mm	BLACK

3	1	B-03 (CEE7 Schuko Plug)			
2	1	Cable VDE H05VV-F 3G1.0mm ²			
1	1	B-05(IEC60320 C5)			
Itemref	Quantity	Title/Name, designation, material, dimension etc			Article No./Reference
Designed by DESIGNED_BY	Checked by CHECKED_BY	APPROVED_BY_DATE	File name FILENAME	Date DATE	Scale SCALE
504390			CAFCA DIGICABLE		
				Edition EDITION	Sheet SHEET