



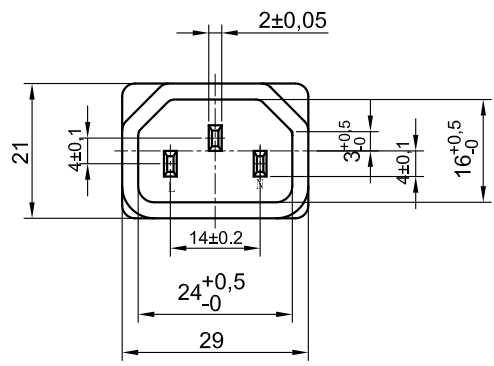
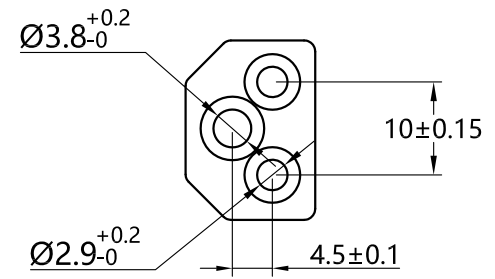


MARKING:  
 THE MARKING OF THE CORDS:  
 ◁VDE▷H05VV-F 3×1.0mm<sup>2</sup>  
 Ningbo Jiangfeng Plastic & Chemistry Co.,Ltd

THE MARKING OF THE PLUG:  
 B-04Z 10A 250V~    
 THE MARKING OF THE CONNECTOR:  
 B-05 2.5A 250V~  



DIMENSIONS AND CHARACTERISTICS OF 1.0mm<sup>2</sup> CORD  
 RATED VOLTAGE 300/500V  
 NUMBER OF CORE 3  
 CONSTRUCTION 32/0.2

PART NO	LENGTH	COLOR
504392	1800±40mm	BLACK
504393	3000±60mm	BLACK
504395	5000±100mm	BLACK

3	1	B-05 IEC60320-C5			
2	1	H05VV-F 3*1.0mm <sup>2</sup>			
1	1	B-04Z IEC60320-C14			
Itemref	Quantity	Title/Name, designation, material, dimension etc			Article No./Reference
Designed by DESIGNED_BY	Checked by CHECKED_BY	Approved by - date APPROVED_BY_DATE	File name FILENAME	Date DATE	2022.10.10 SCALE
504395			CAFCA DIGICABLE		
			Ningbo Jiangfeng Plastic & Chemistry Co., Ltd		Edition EDITION