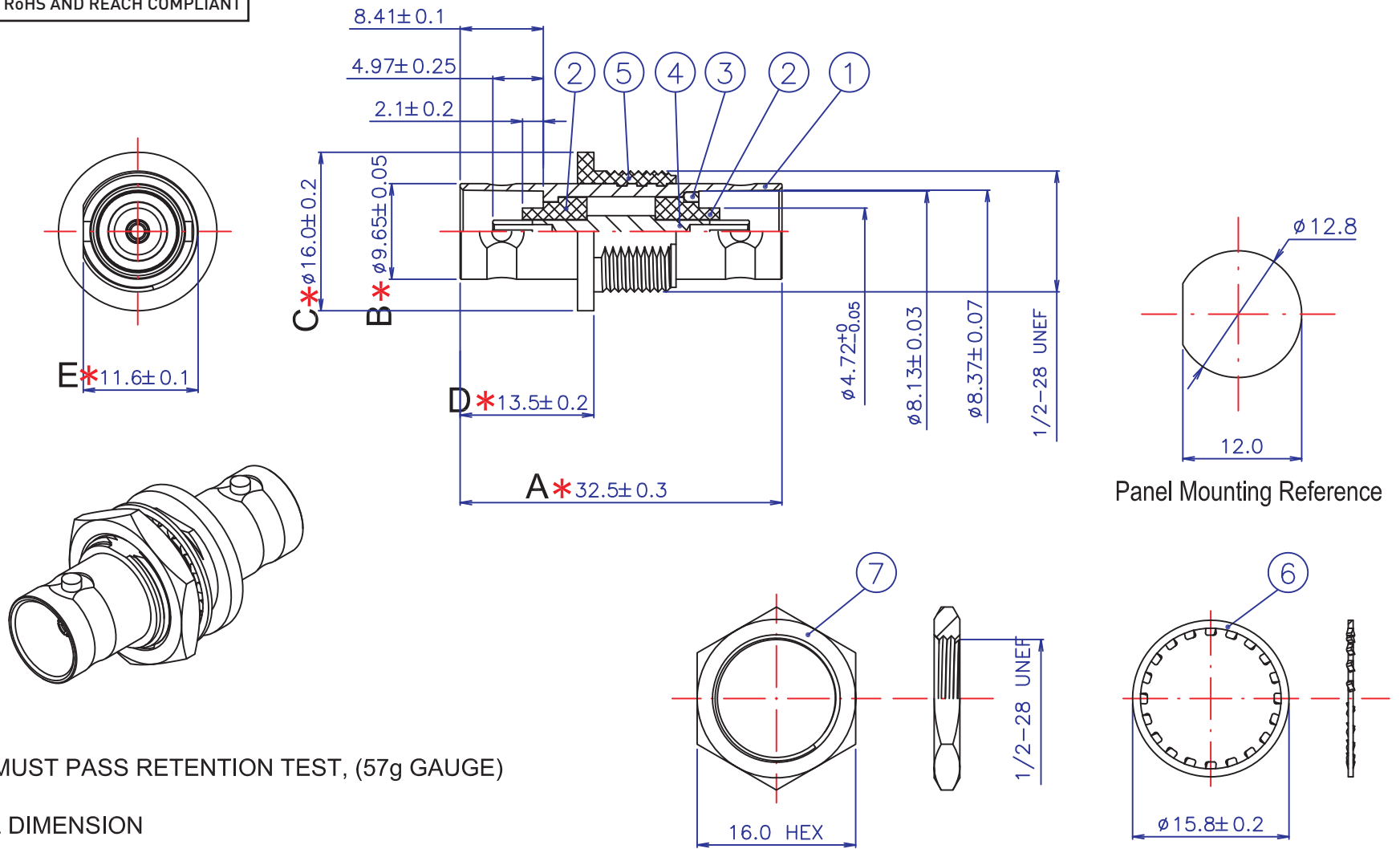


NOTE:ALL MATERIAL ARE RoHS AND REACH COMPLIANT



REMARK:

- 1) THE CONTACT MUST PASS RETENTION TEST, (57g GAUGE)
- 2) 75 ohms Design
- 3) " \* " CRITICAL DIMENSION

7	brass	nickel	≥2.0
6	fe	nickel	≥2.0
5	POM		
4	brass	gold	≥0.075
3	brass	nickel	≥2.0
2	Teflon		
1	brass	nickel	≥2.0
	Material	Plated	Thickness (um)

Date	Update information		
Customer:			
	Custo.type:		
EXC Item:	508624	Drawing No.:	EXC22102701
Draw by:	Deric	Checked by:	Jean
Date:	27/10/2022	Option:	No fixed scale
CAFCA DIGICABLE			Rev: 1.0