

1

2

3

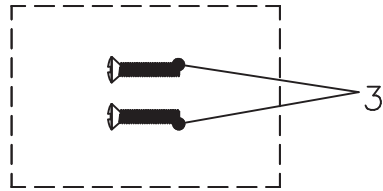
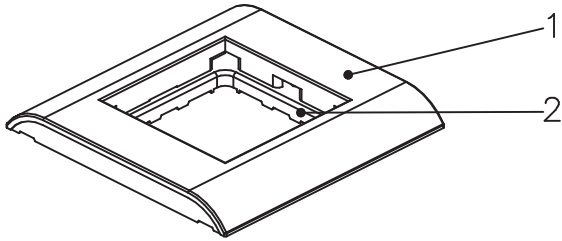
4

5

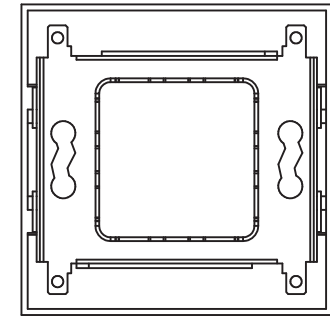
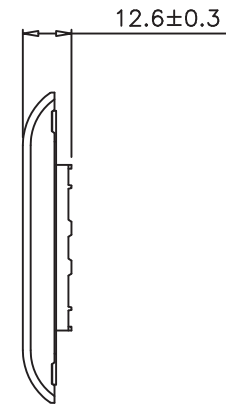
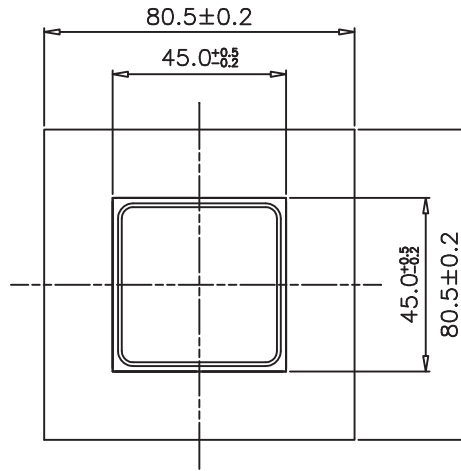
6

A

A



SCALE 1/2



B

B

C

C

D

D

Specification :

- Material :
1. Plate : ABS, UL 94-HB, with white color.
 2. Bracket : Metal, blue zine plated.
 3. Screw : M3.5 X 17.6 X 7.0 mm.



GENERAL TOLERANCE OF DIMENSIONS X.XXX ±0.1 X.XX ±0.2 X.X ±0.3	DRAWING	27.OCT.2022	CKL				
	CHECK	27.OCT.2022	DAY				
	APPROVAL	27.OCT.2022	FRANK				
	SCALE	1/1 (A4)	UNIT	mm	ITEM NO.:	605200	
					DES.:	France Flush Mounted Plate	
HSF Spec.		DRAWING NO.		AAHQA0100000305 JE304W-P(SA5)			
RoHS		DRAWING CLASSIFICATION		S	SHEET	1 OF 1	

1

2

0

3

4

10cm

5

6