

1

2

3

4

5

6

A

A

B

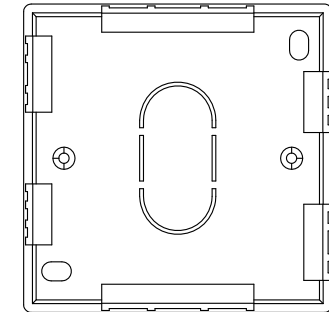
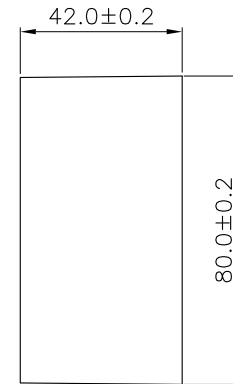
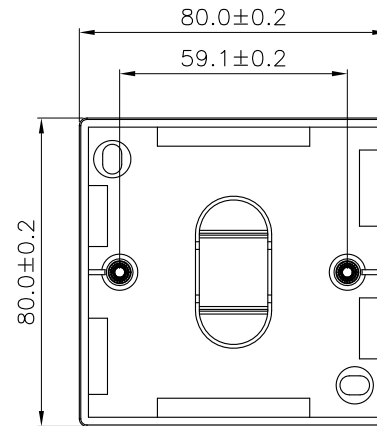
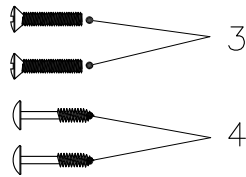
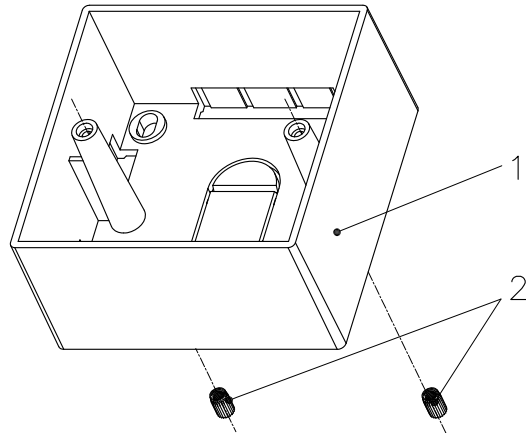
B

C

C

D

D



SCALE 1/2

Remark : AAGOC00000231XX

(1)

(1)XX : Color
04=W1, 05=White, 13=Ivory.

Specification :

Material :

- 1. Box : ABS, UL 94-HB, with optional color.
- 2. Screw nut : $\phi 5.5 \times 6.5$ mm.
- 3. Screw : M3.5X17.6X6.6mm.
- 4. Screw : M3.5X19.0X7.5mm.



GENERAL TOLERANCE OF DIMENSIONS X.XXX ±0.005 X.XX ±0.05 X.X ±0.1	DRAWING	10.MAY.2012	QIQI	
	CHECK	10.MAY.2012	JANE	
	APPROVAL	10.MAY.2012	JAIMY	
	DATE		NAME	ITEM NO.:
SCALE	1/2 (A4)	UNIT	mm	DES.: EUROPEAN SURFACE MOUNTED BOX
DRAWING NO.		AAGOC00000231XX JE306XA(SA4)		A4
DRAWING CLASSIFICATION		S	SHEET 1 OF 1	

1

2

0

3

4

10cm

5

6