



Cable Stripper & LSA/IDC Punch Down Tool

Part no.: WZ0024

Technical Features

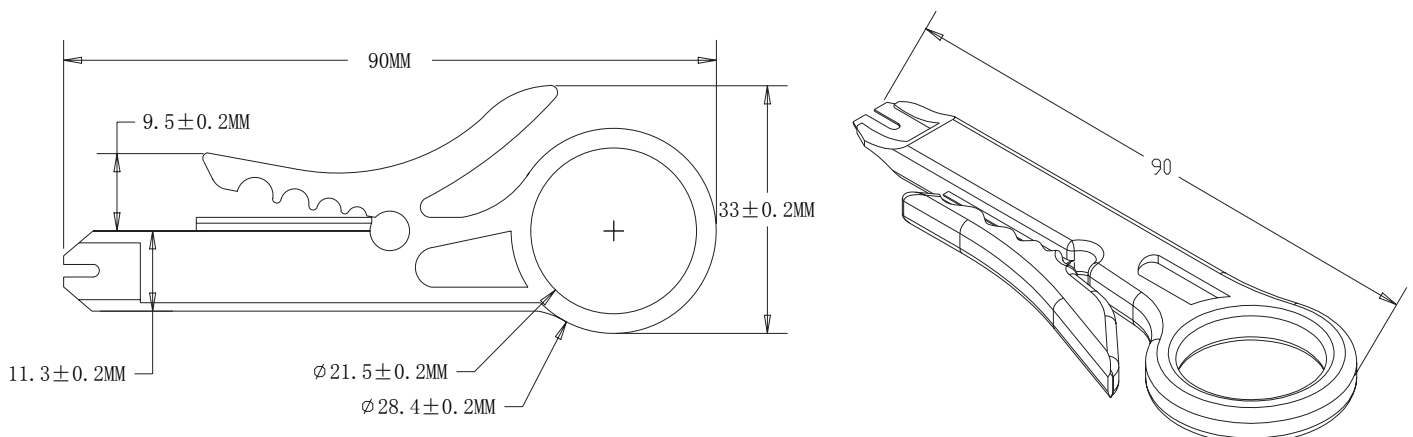
Easy to use

Stripping tool for cables O.D. 1,5 – 8mm

Suitable for 110/88/LSA type insertion

For solid UTP and STP round cable

Technical Drawings



WZ0024



4 052792 042948

Made in China

www.logilink.com



RoHS
compliant



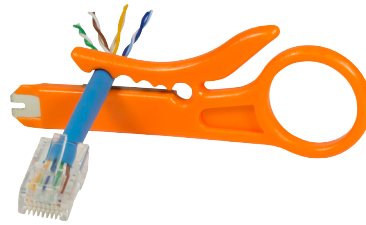
* The specifications and pictures are subject to change without notice.
*All trade names referenced are the registered trademark of their respective owners.

Package Contents

1 x Cable Stripper & LSA/IDC Punch Down Tool

Packaging Informations

Packing Dimension	mm
Packing Weight	kg
Carton Dimension	mm
Carton Q'ty	pcs
Carton Weight	kg



WZ0024



4 052792 042948

Made in China

www.logilink.com



RoHS
compliant



* The specifications and pictures are subject to change without notice.
*All trade names referenced are the registered trademark of their respective owners.