

# CAFCA

Le réseau d'un bout à l'autre

## Convertisseur RJ45/SC 10/100/1000 Monomode (20 Km)

### 10/100 Mbps and 10/100/1000 Mbps Media Converter



This is an intelligent, adaptive and efficient Ethernet converter device. It can implement data transmission between twisted pair electrical signals and optical signals, which are the two types of network connection media. This type of media converter can extend the transmission distance to 0.55 kilometres (multimode) or 120 kilometres (single mode). Using a media converter is an economical solution to achieve a long distance transmission base on current status.



#### Features:

- ✓ In conformity to IEEE802.3 10base-T, IEEE802.3u 100 base-TX/FX, IEEE802.3ab 1000 base-T, IEEE802.3z, 1000base-SX/LX, IEEE802.1a, IEEE802.1P/Q/S, IEEE802.1d
- Spanning Tree
- ✓ MDI/MDI-X Auto Negotiation
- ✓ Supports 2U 19" System Chassis, holds up to 14pcs standalone type media converter or 16pcs card based media converter
- ✓ Hot Pluggable & Wall-Mountable
- ✓ Stable performance: more than 50,000 hours fault-free
- ✓ Unique IC solution applied
- ✓ Supports 10/100Mbps and 10/100/1000M full/half duplex, easy upgrades
- ✓ Supports VLAN transmission
- ✓ Conforms with safety code of FCC, CE and RoHS

**CAFCA Digicable, SAS** au capital de 100.000€

Siret : 332 568 617 00044

25, Rue des Frères Damme – 78700 Conflans-Sainte-Honorine France

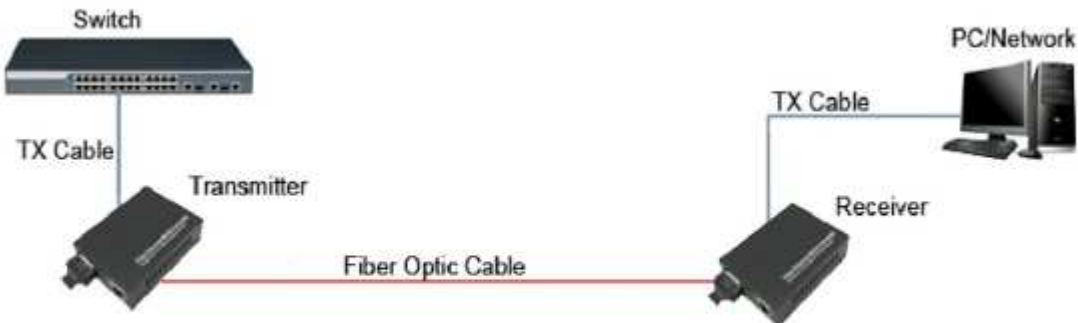
Tél : +33-(0)1.39.72.10.60 Fax : +33-(0)1.34.90.94.26

Email : [distrib@cafca.fr](mailto:distrib@cafca.fr) Site Web : [www.cafca.fr](http://www.cafca.fr)

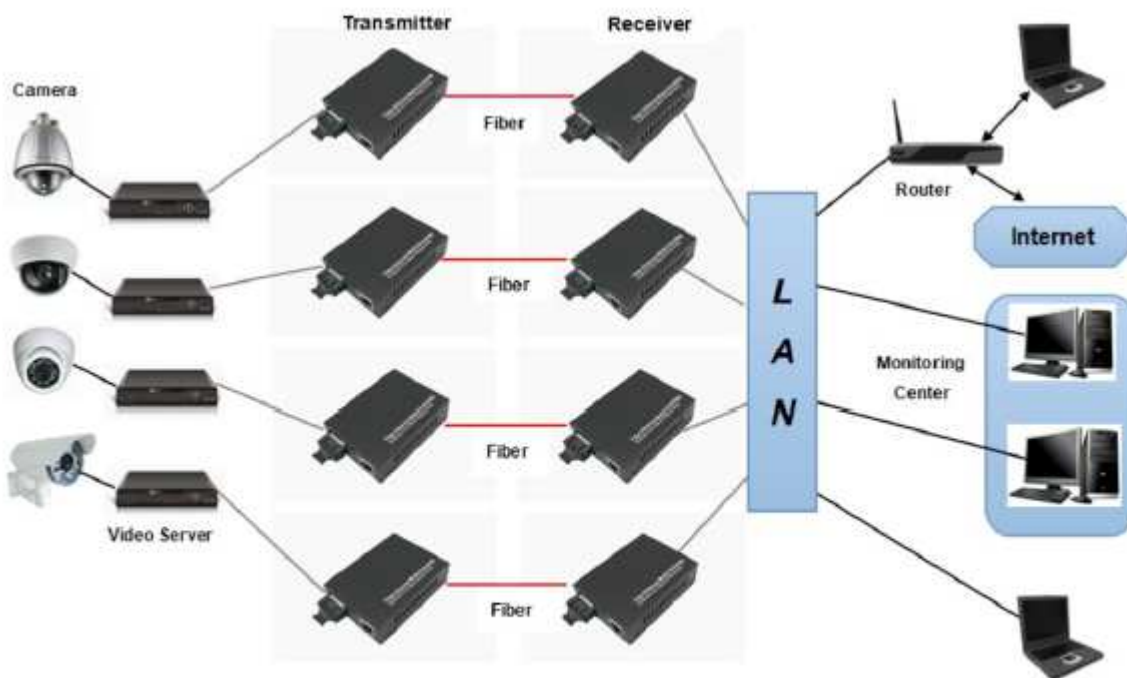
# CAFCA

Le réseau d'un bout à l'autre

## For Networking



## For CCTV Surveillance



**CAFCA Digicable**, SAS au capital de 100.000€

Siret : 332 568 617 00044

25, Rue des Frères Damme – 78700 Conflans-Sainte-Honorine France

Tél : +33-(0)1.39.72.10.60 Fax : +33-(0)1.34.90.94.26

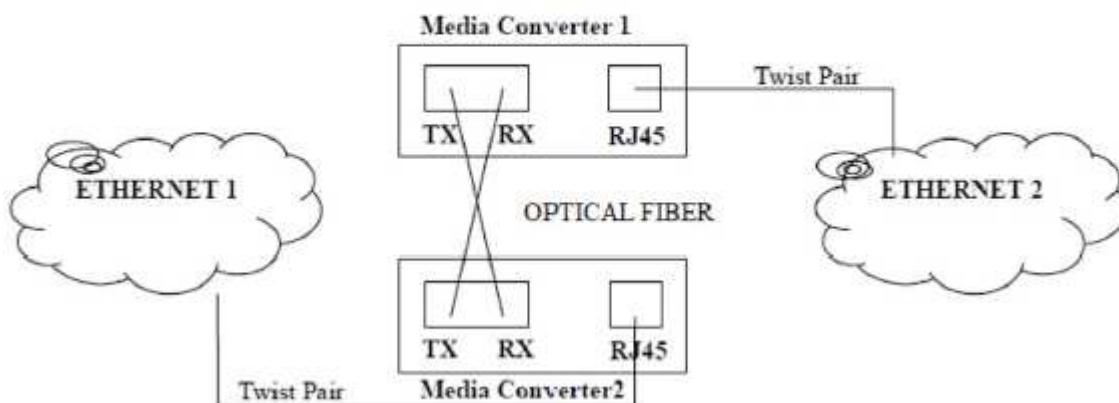
Email : [distrib@cafca.fr](mailto:distrib@cafca.fr) Site Web : [www.cafca.fr](http://www.cafca.fr)

# CAFCA

Le réseau d'un bout à l'autre

Specifications	
Rate	self-adaptive 10/100M or 10/100/1000M
Protocol supported	IEEE802.3/IEEE802.3U etc.
Fibre type	single / dual fibre
Optic mode	single / multimode
Transmission mode	half / full duplex
Ethernet interface	RJ-45
Optic interface	SC/FC/ST
Optic wavelength	850nm, 1310nm, 1550nm, Tx1310/Rx1550nm, Tx1550/Rx1310nm
BER	< 1/1000000000
Rate	self-adaptive 10/100M or 10/100/1000M
MTBF	3 years
POWER	2.5W
Power supply	AC220V/0.5A, DC-48 V /0.5A, DC5V/1A
Working temperature	0~50℃
Working humidity	5%~95%
Storage temperature	-40℃~70℃
Storage humidity	5%~95%(no-condensing)
Weight	0.38KG
Dimensions	229x122x50mm for packing, 94x70.6x26.5mm for device

## System Design



**CAFCA Digicable**, SAS au capital de 100.000€

Siret : 332 568 617 00044

25, Rue des Frères Damme – 78700 Conflans-Sainte-Honorine France

Tél : +33-(0)1.39.72.10.60 Fax : +33-(0)1.34.90.94.26

Email : [distrib@cafca.fr](mailto:distrib@cafca.fr) Site Web : [www.cafca.fr](http://www.cafca.fr)