

Cat.7A S/FTP Network Cable, 1200MHz

Technical Features

High-speed data transmission cabling perfect for a variety of networking applications

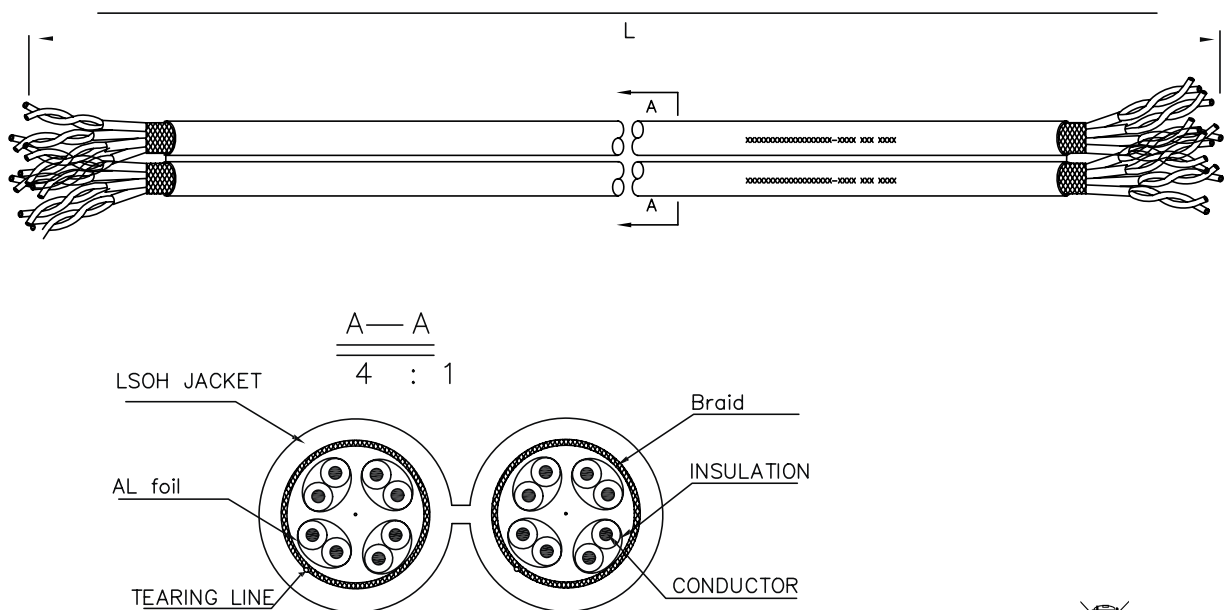
2x (4x 2 AWG 23/1) bare copper conductor, PiMF

LSZH jacket, yellow color

ISO/IEC11801, ANSI/TIA-568-C.2, EN50173, IEC-61156-5

Reaction to fire: B2ca-s1a,d1,a1

Technical Drawings



www.2direct.de



RoHS
compliant



Length (Per Roll)	Part no.	EAN Code
50 m	CPV0075	4052792061680
100 m	CPV0073	4052792059755
500 m	CPV0074	4052792059762

Package Contents

1x Cat. 7A S/FTP Network Cable, 1200MHz

Packaging Information

Art-No.	Packing Dimension	Packing Weight	Carton Dimension	Carton Q'ty	Carton Weight
CPV0073	400x400x180 mm	12.71 kg	420x420x400 mm	2 pcs	26.32 kg
CPV0074	550x550x420 mm	65.2 kg	550x550x420 mm	1 pcs	65.2 kg
CPV0075	345x345x115 mm	6.35 kg	550x365x365 mm	4 pcs	26.8 kg



www.2direct.de



RoHS
compliant

