



Art no.: CQ4060S

## Cat. 7 S/FTP Mobile Cable Reel TPE, 60 m

### Technical Features

Mobile drum for easy installation & transportation

Cat.7 S/FTP 26 AWG bare copper cable

Flexible TPE jacket for outdoor use

60 m cable with Cat. 6A keystone jack

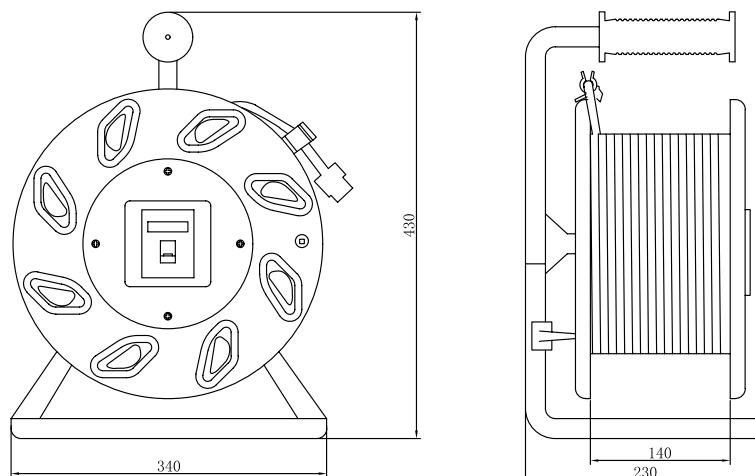
Drum with 86 x 86 mm 1 port face plate

Supports PoE per IEEE 802.3af, PoE+ per IEEE 802.3at

Operating temperature: -20–75°C

Cable color: Black

### Technical Drawings



CQ4060S



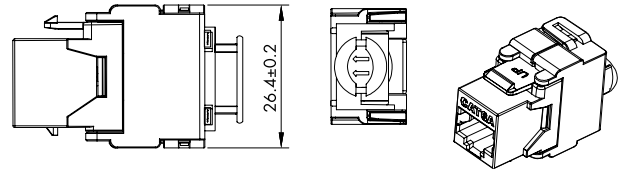
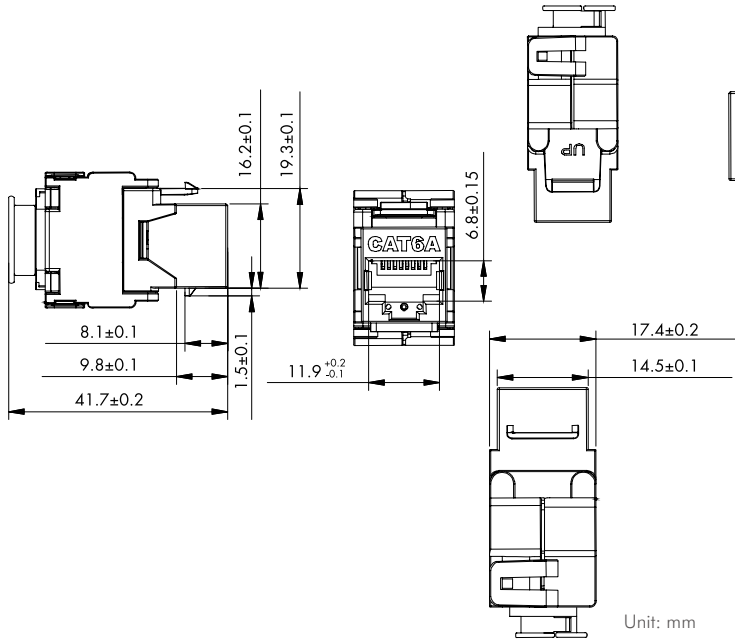
4 052792 070323

Made in China

[www.2direct.de](http://www.2direct.de)



\*The specifications and pictures are subject to change without prior notice.  
\*All trade names referenced are the registered trademarks of their respective owners.



**Notes:**

1. Contact Resistance: 20M Ohms max.
2. Insulation Resistance: 500M Ohms min. @500 V DC
3. Withstand Voltage: DC 1000 V AC 700 V RMS 60 Hz, 1 min.

**Environmental:**

1. Storage: -40–70°C
2. Operation: -10–60°C

**Mechanical:**

1. Shield Material: Zinc alloy
2. IDC Material: PC UL94V0 Terminal: Phosphor Bronze, Tin Plating
3. RJ45 Contact Life: 750 times min.
4. IDN Life: 250 times min.
5. RJ45 Dimension: 11.9 x 9.8 mm
6. Weight: 34.7 g

## Package Content

1x Cat. 7 S/FTP Mobile Cable Reel, TPE, 60 m

## Packaging Information

Packing Dimension	350 x 240 x 445 mm
Packing Weight	4.2 kg
Carton Dimension	350 x 240 x 445 mm
Carton Q'ty	1 pc
Carton Weight	4.2 kg



CQ4060S



4 052792 070323

Made in China

www.2direct.de



\*The specifications and pictures are subject to change without prior notice.  
\*All trade names referenced are the registered trademarks of their respective owners.