

Cat.7A 1200MHz LAN Cable on Spool with Cat.6A Keystone Jack and Face Plate, 90m, Orange



Technical Features

Mobile Spool for easy installation & transportation

S/FTP PIMF, 4x 2x AWG23/1, bare copper

LSZH jacket O.D. 8.2mm

With Cat.6A keystone jack and 86x86 mm face plate

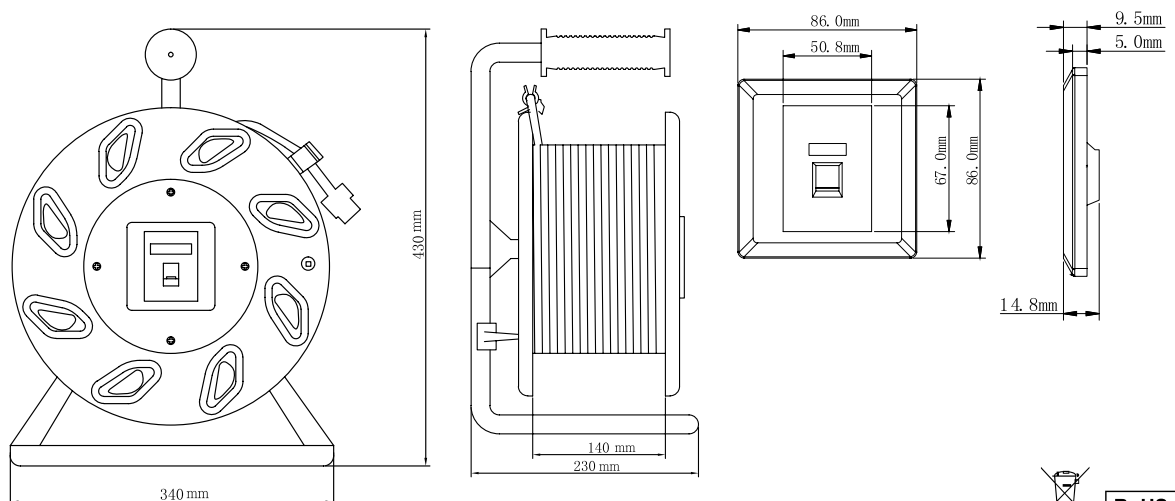
ISO/IEC 11801:2002, ISO/IEC EN 50173, EIA/TIA 568-C Cat.7A, IEC 60603-7-51

Supports PoE per IEEE 802.3af, PoE+ per IEEE 802.3at

Indoor use, operating temperature: -10 - 60°C

Cable color: Orange

Technical Drawings



CQ5090S



4 052792 039863

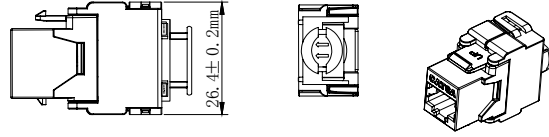
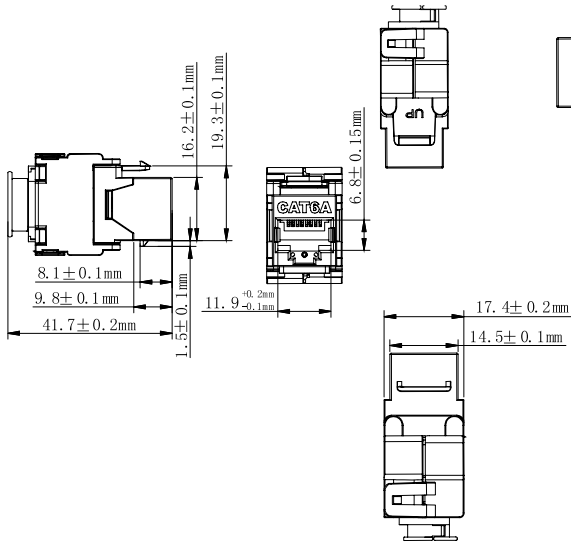
Made in China

www.2direct.de



RoHS
compliant

*The specifications and pictures are subject to change without prior notice.
*All trade names referenced are the registered trademarks of their respective owners.



Notes:

1. Contact Resistance: 20M OHMS max.
2. Insulation Resistance: 500M OHMS min. @500V DC
3. Withstand Voltage: DC 1000V AC 700V RMS 60Hz, 1min

Environmental:

1. Storage: -40°-70°
2. Operation: -10°-60°

Mechanical:

1. Shield Material: Zinc Alloy
2. IDC Material: PC UL94V0 Tepminal: Phosphor Bronze, Tin Plating
3. RJ45 Contact Life: 750 times min.
4. IDN Life: 250 times min.
5. RJ45 Dimension: 11.9x9.8mm
6. Weight: 34.7g

Package Contents

1x Cat.7A S/FTP Cable Spool 90m

Packaging Informations

Packing Dimension	390x280x490 mm
Packing Weight	7.5 kg
Carton Dimension	390x280x490 mm
Carton Q'ty	1 pcs
Carton Weight	7.5 kg



CQ5090S



4 052792 039863

Made in China

www.2direct.de



RoHS
compliant

*The specifications and pictures are subject to change without prior notice.
*All trade names referenced are the registered trademarks of their respective owners.