

FTTH Termination Box 2 x SC/APC with Installation Cable

Technical Features

Fiber to the home termination box, fully assembled

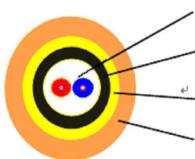
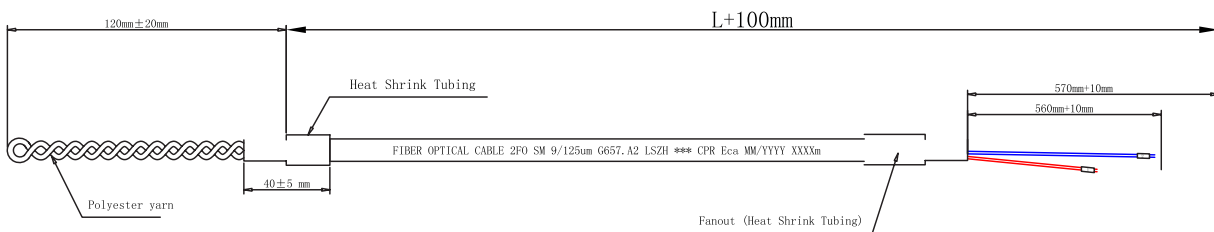
With 2-core breakout cable (easy to strip + easy to push out)

Prefabricated on one side with 2x SC/APC connector and adapter

Length	Art No.	EAN Code
20 m	FB2SC20	4052792066487
30 m	FB2SC30	4052792066494
40 m	FB2SC40	4052792066500
50 m	FB2SC50	4052792066517



Technical Drawings



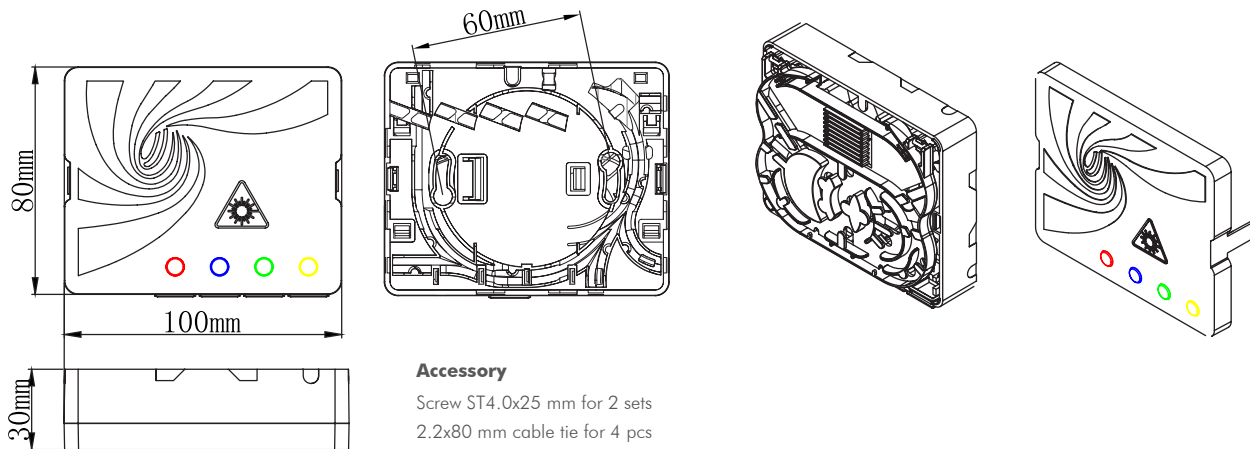
Colored Coating Fiber: 250 μ m \pm 15 μ m
 Inner Jacket
 Polyester yarn
 Outer Jacket: White (RAL9001) 2.2mm \pm 0.2mm

Test:

Test Grade Designation: Each to Each		
Grade 1L/RL	Grade B/1	
Insertion Loss (IL)	97% \leq 0.25dB mean \leq 0.12dB	IEC 61300-3-4
Return Loss (RL)	\geq 60dB	IEC 61300-3-6
Test Wavelength	1310nm	Single-Mode
End Face Inspection	\times 400	

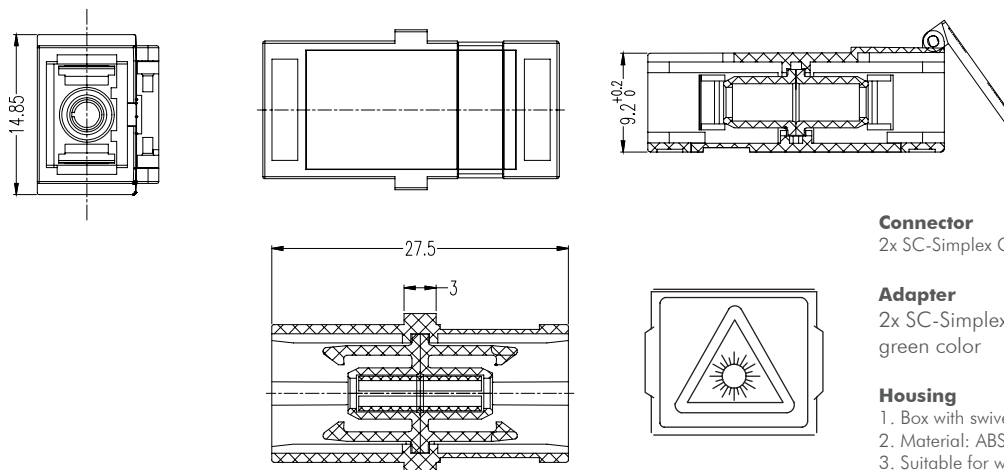
Cable

1. Single-mode fibre OS2 9/125 G657.A2, LSZH, 2 cores, 2.2 mm cable
2. Flame Retardant IEC 603321-2, Halogenfree IEC 60754-2, Smoke density IEC 61034
3. Reaction to fire: CPR Class Eca certified
4. Color: White (RAL 9001)



Accessory

Screw ST4.0x25 mm for 2 sets
2.2x80 mm cable tie for 4 pcs



Connector

2x SC-Simplex Connector APC 8°, with pigtail, green color

Adapter

2x SC-Simplex Adapter without flange, APC 8°, Grade B/1, green color

Housing

1. Box with swivelling splice tray including crimping splice holder
2. Material: ABS+PC (UL94-V0), for indoor use (IP20)
3. Suitable for wall mounting or Din-rail mounting (35 mm)
4. Color: White (RAL 9001)

Package Content

1x FTTH Termination Box 2 x SC/APC

Packaging Information

Cable Length	Packing Dimension	Packing Weight	Carton Q'ty	Packing Dimension	Packing Weight
20 m	250 x 235 x 50 mm	0,28 kg	10 pcs	480 x 265 x 260 mm	3,54 kg
30 m	250 x 235 x 50 mm	0,33 kg	10 pcs	480 x 265 x 260 mm	4,04 kg
40 m	250 x 235 x 50 mm	0,37 kg	10 pcs	480 x 265 x 260 mm	4,44 kg
50 m	250 x 235 x 50 mm	0,42 kg	10 pcs	480 x 265 x 260 mm	4,94 kg