

LogiLink®

Portable Laptop Stand

Art. No.: AA0134



Create An Ergonomic Workspace Anywhere

The ergonomic laptop stand is designed to create a healthy and comfortable work environment. With 7 levels of adjustment giving you the best viewing angles; it is foldable and lightweight to easily take it wherever you go.



10-16"



7 Adjustable Heights



Ergonomic



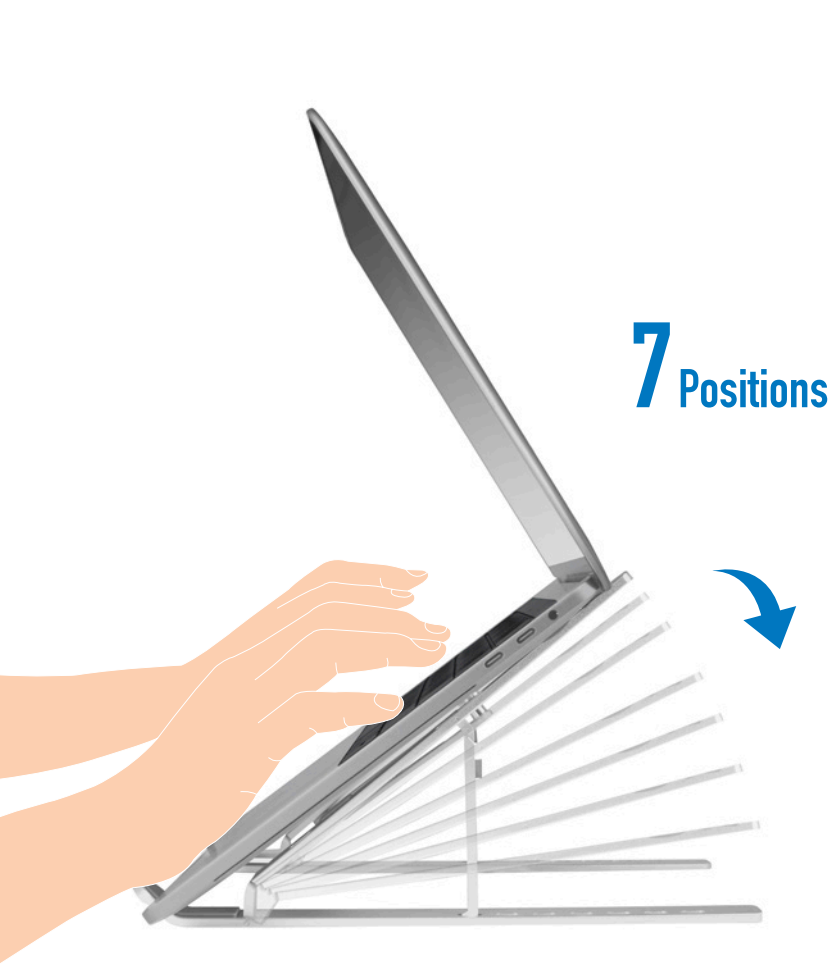
Weight Capacity



Ventilation

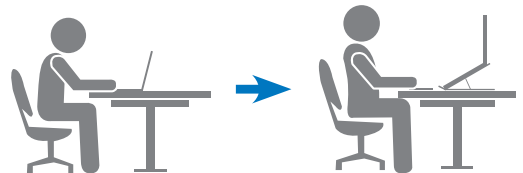


Lightweight



Ergonomic Viewing Angles

Quickly and easily adjust to one of seven desired height position with the support bracket. Great for elevating your work to a more comfortable angle.



Keep Cool

Great heat dissipation and natural airflow prevent your laptop from overheating.



Sturdy & Stable Protection

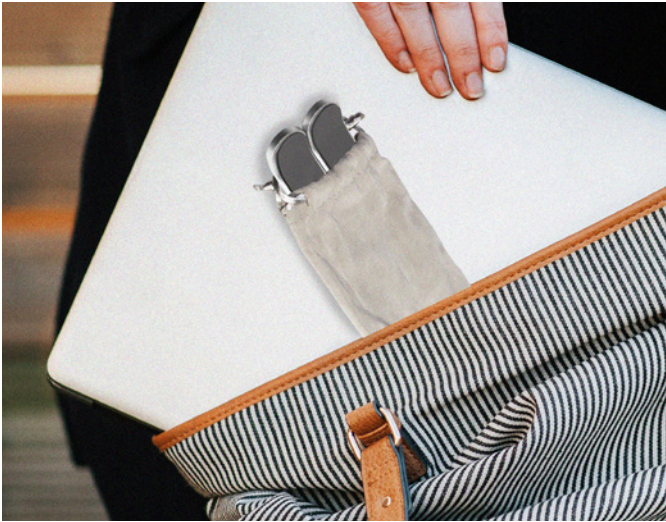
The aluminum alloy double M design can hold up to 10 kg safety. The non-slip rubber pads protect your device from scratching and sliding off.



*The specifications and pictures are subject to change without prior notice.
 *All trade names referenced are the registered trademarks of their respective owners.

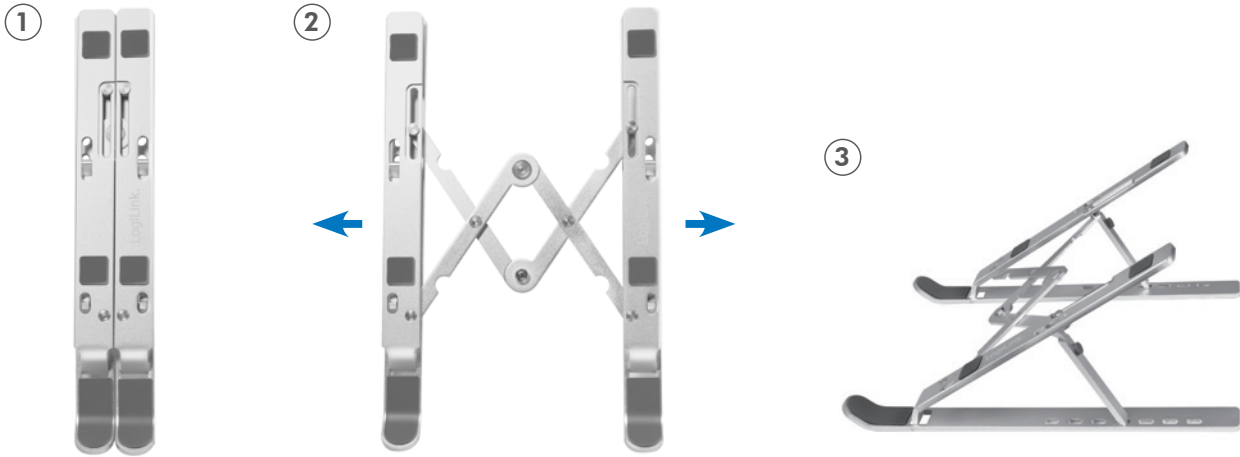
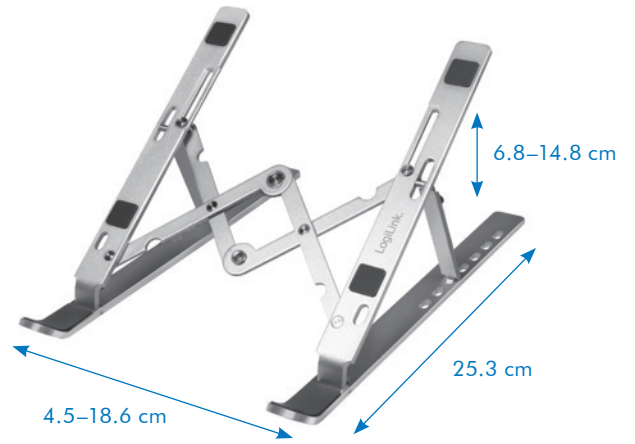


Made in China



Take it Anywhere

The foldable and portable design easily fits into your laptop bag or backpack. The ideal travel accessory comes with a carry sleeve.



Wide Range of Usage

The perfect companion for all laptops between 10-16", tablets and smartphones. With a range this wide, you can be sure that it will fit well with your device.



*The specifications and pictures are subject to change without prior notice.
 *All trade names referenced are the registered trademarks of their respective owners.

LogiLink®

Portable Laptop Stand

Art. No.: AA0134



Specifications:

Compatible Devices	10–16" devices
Weight Capacity	10 kg
Height Adjustment	7 levels
Material	Aluminum alloy
Dimensions (Folded)	4.5x25.3x2 cm
Weight	0.26 kg

Package Contents:

- » 1x Laptop Stand
- » 1x Carry Sleeve
- » 1x User Manual

Package Information:

- » Packing Dimension: 267x50x23 mm
- » Packing Weight: 0.3 kg
- » Carton Dimension: 280x260x280 mm
- » Carton Q'ty: 50 pcs
- » Carton Weight: 14.5 kg



*The specifications and pictures are subject to change without prior notice.
*All trade names referenced are the registered trademarks of their respective owners.



4 052792 061857

Made in China